

THIS DRAWING IS UNPUBLISHED.

RELEASED FOR PUBLICATION

© COPYRIGHT BY TYCO ELECTRONICS CORPORATION. ALL RIGHTS RESERVED.

LOC  
AF

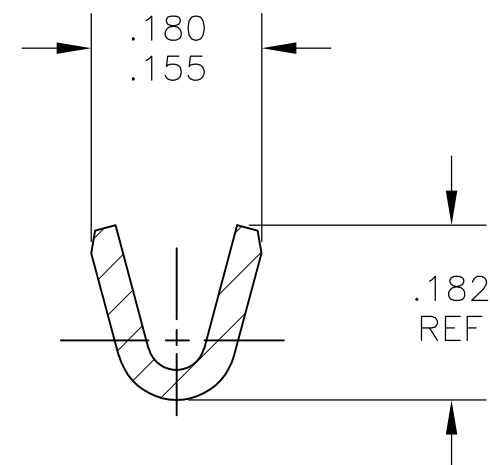
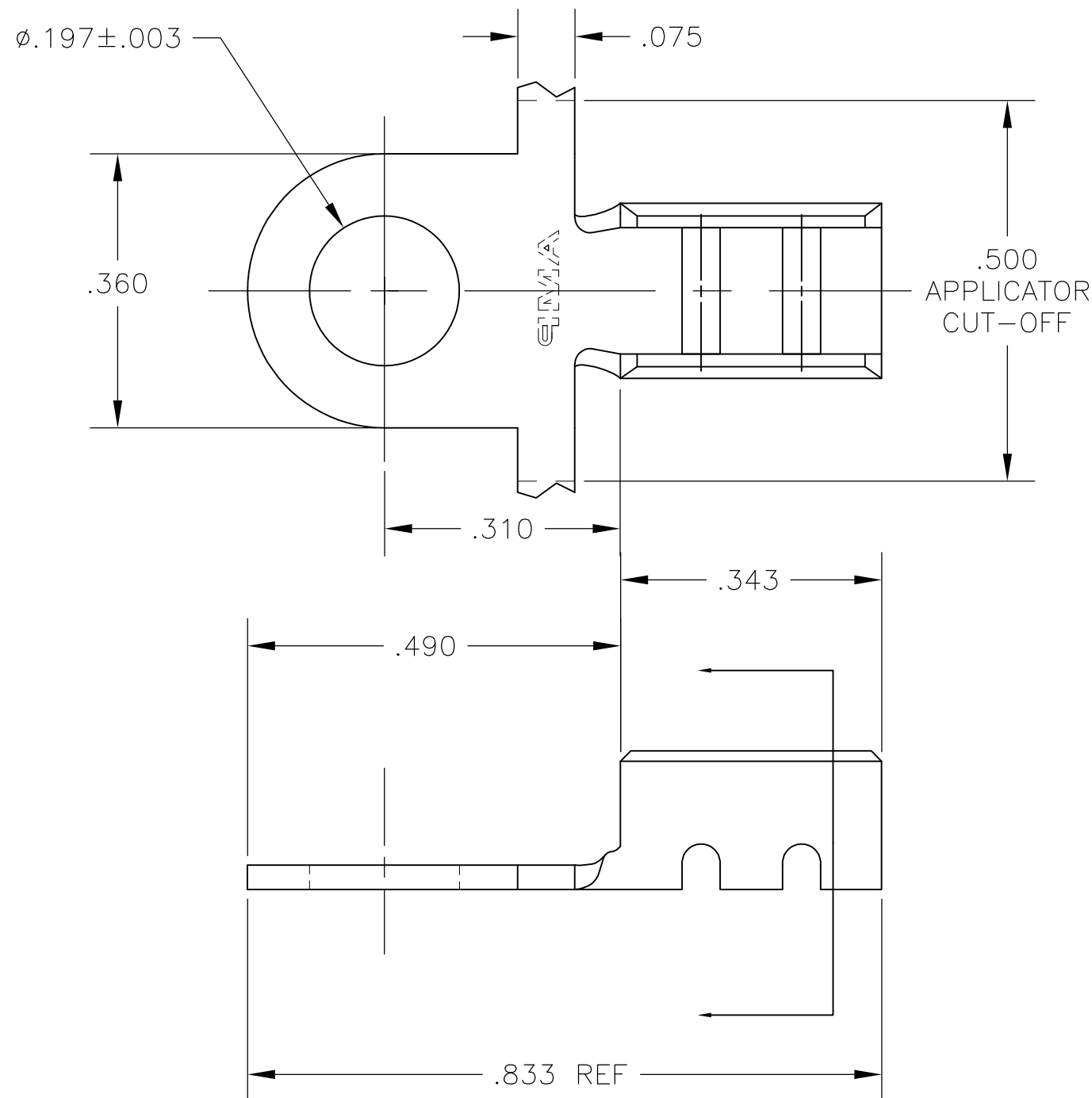
DIST  
50

REVISIONS

P	LTR	DESCRIPTION	DATE	DWN	APVD
	B	REL PER ECR 07-025284	25OCT07	JR	JK

1 CONTINUOUS STRIP ON REELS.

2 WIRE SIZE IS 22-15 AWG



1742556-1

PART NO

THIS DRAWING IS A CONTROLLED DOCUMENT.		DWN jr_ruth 22FEB07	Tyco Electronics Corporation Harrisburg, PA 17105-3608		
DIMENSIONS: INCHES		CHK J KNOLL 22FEB07			
		APVD J KNOLL 22FEB07	NAME RING TONGUE, NI-CHROME WIRE		
TOLERANCES UNLESS OTHERWISE SPECIFIED:		PRODUCT SPEC	SIZE		
0 PLC ± -	FINISH	APPLICATION SPEC	CAGE CODE	DRAWING NO	RESTRICTED TO
1 PLC ± -		—	A300779	C-1742556	—
2 PLC ± -		MATERIAL	—	CUSTOMER DRAWING	
3 PLC ± .010		—	—	SCALE 5:1	SHEET 1 OF 1
4 PLC ± -	—	WEIGHT	—		
ANGLES ± 5°	—	—	—		